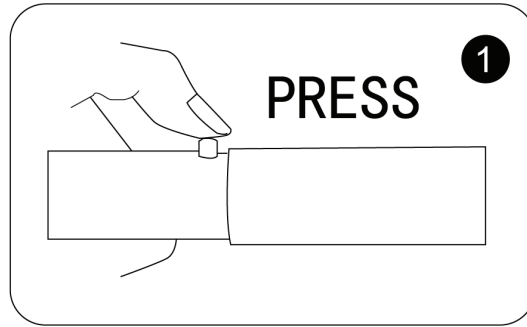
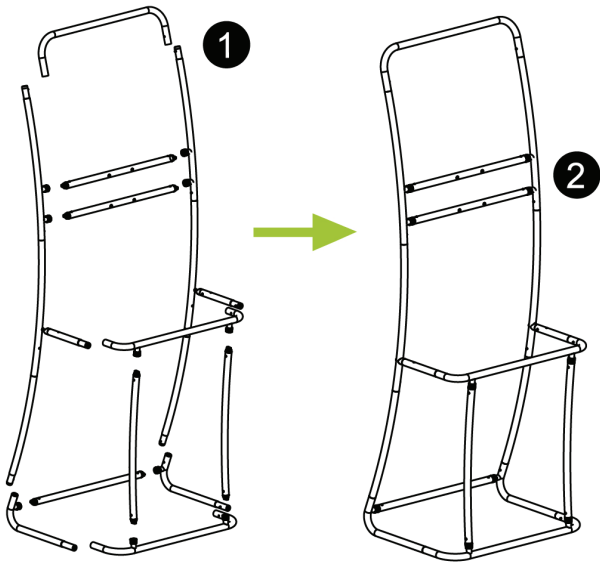
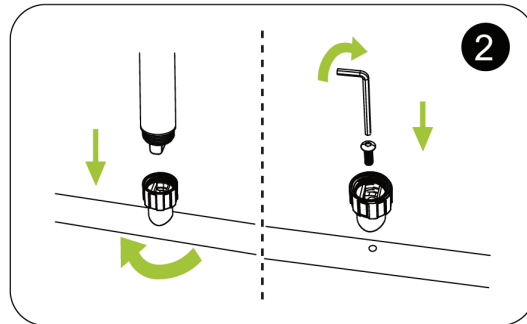


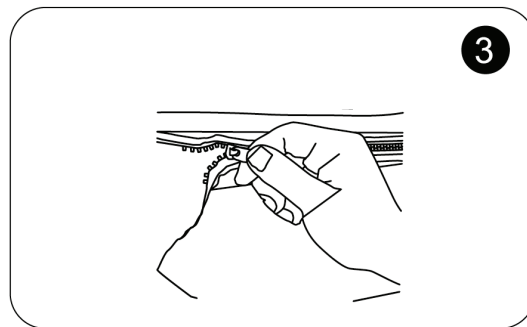
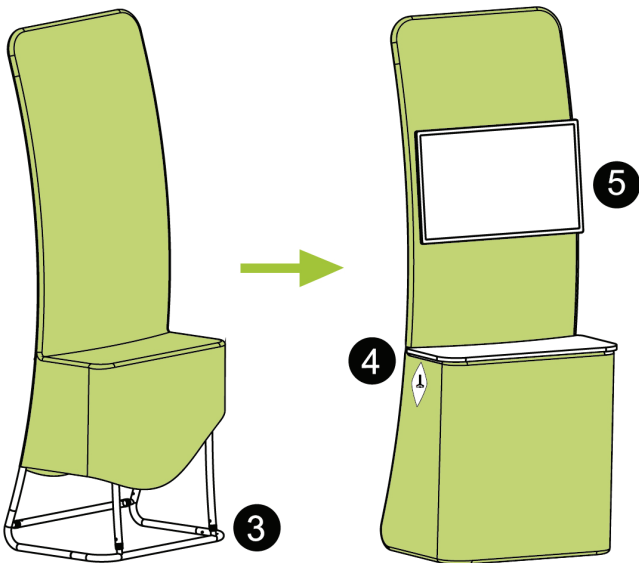
To set up the frame according to the labellings.



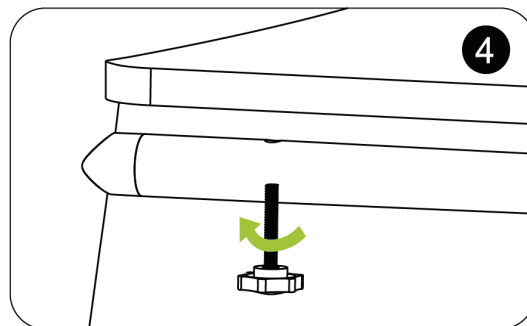
1 Connect frame sections by pressing the spring loaded buttons and sliding the two parts together.



2 Locate hold in frame and screw in the plastic connection joint. Now connect the tube into the joint and tighten.



3 Slip the printed tension fabric cover over the frame from the top down.



4 Connect table top to frame with the provided bolts.

